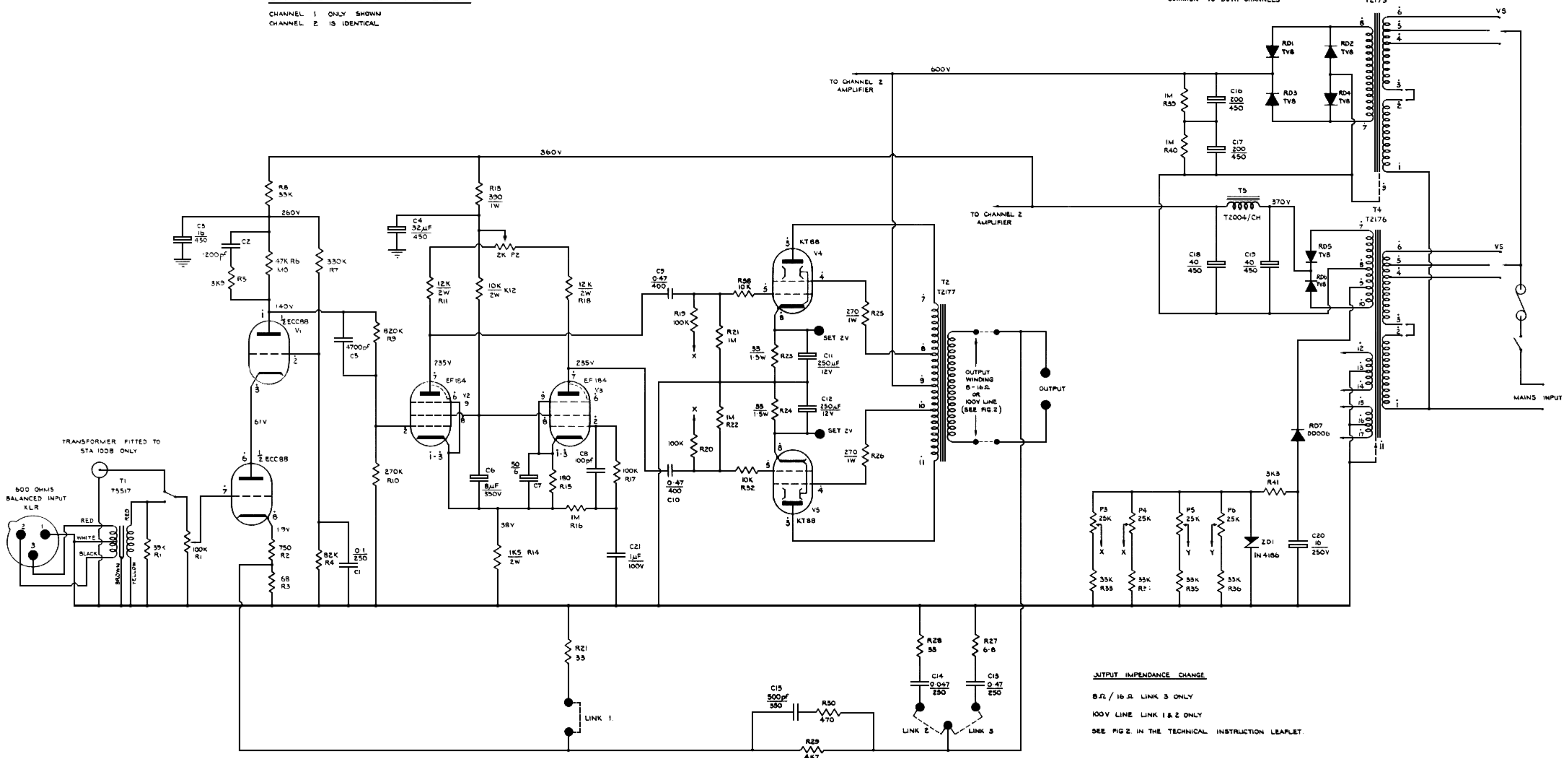


STA 100. POWER AMPLIFIER

CHANNEL 1 ONLY SHOWN
CHANNEL 2 IS IDENTICAL

POWER SUPPLY
COMMON TO BOTH CHANNELS

T3
T5



OUTPUT IMPEDANCE CHANGE

8 Ω / 16 Ω LINK 3 ONLY
100V LINE LINK 1 & 2 ONLY
SEE FIG 2. IN THE TECHNICAL INSTRUCTION LEAFLET.